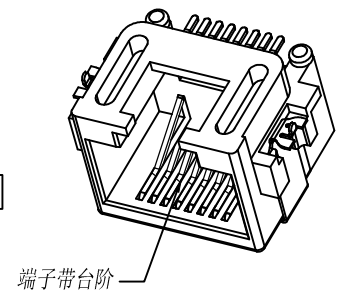
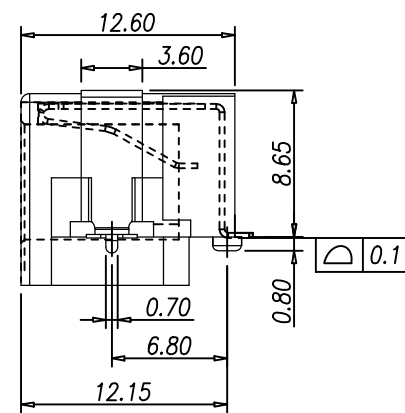
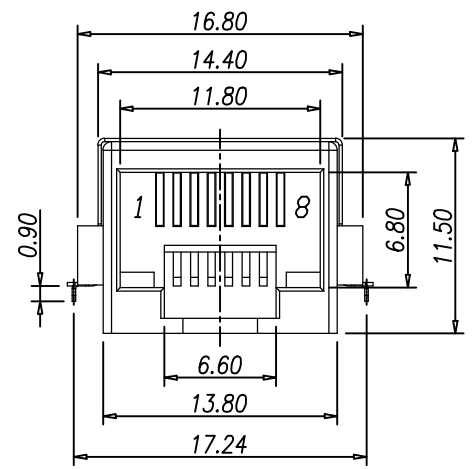


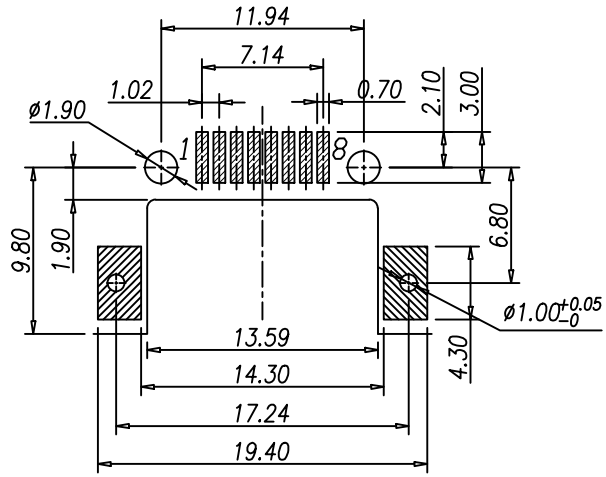
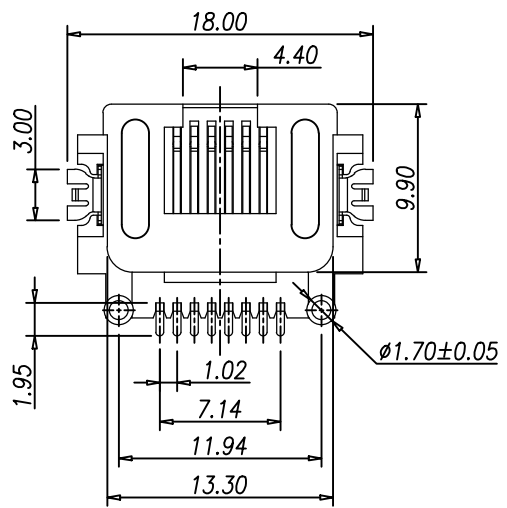
CATEGORY	DESCRIPTION	P/N #
CONNECTOR	RJ45 沉板SMT中包8.65 (带台阶)	MJ88-BX11-HRVS4

REV.	ECN NO	DESCRIPTION	REVISED	DATE
A01		New Release	XSY	2016.02.26



SPECIFICATIONS:

1. Voltage: 150V AC RMS
2. Current Rating: 1.5A
3. Contact Resistance: 40mΩ MAX.
4. Insulation Resistance: 500MΩ MIN.
5. Dielectric Withstang Voltage :1000V AC
6. Operature Temperature: -40°C~80°C
7. Durability: 500 Mating Cycles MIN.



Recommend PCB Layout
(Jack Top View)
Tolerance: ±0.05mm

Part No.:
MJ88-BX11-HRVS4
Material & Plating

X	Terminal Plating
0	Au 1u" Plating
1	Au 3u" Plating
2	Au 6u" Plating
3	Au 15u" Plating
4	Au 30u" Plating
5	Au 50u" Plating

c	Shielding	1	Brass	Ni Plating	
b	Terminal	8	Phosphor Bronze	Au/Tin Plating	
a	Housing	1	LCP UL94V-0	Black	
NO.	PART NAME	Q'TY	MATERIAL	PLATING & COLOR	Remark

UNLESS OTHERWISE SPECIFIED TOLERANCES

DECIMALS: X :±0.5, X.X :±0.3, X.XX :±0.2

ANGLES: X :±2°, X.X :±1°

SCALE: 1/1 UNIT: mm

SIZE: A3 PAGE: 1 OF 1 REV: A01

DWG.NO:

APPROVED BY: DICK, CHECKED BY: XSY, PREPARED BY: XSY

CUSTOMER COPY

東莞市合陵電子有限公司
DongGuan HeLing Electronic Co.,LTD